

GALA High Bay

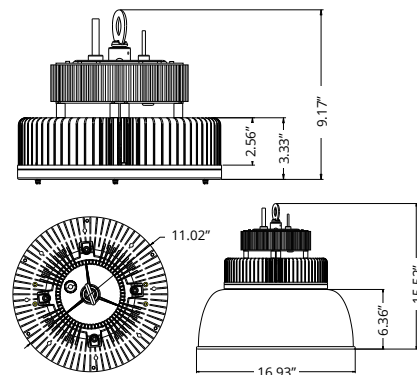
Spaces with high ceilings require powerful yet very efficient lighting. Gala is available in either 320W or 500W. The robust 500W GALA puts out an incredible 75,000 lumens. The LED chips are world-class Nichia, and the powerful drivers are top of the line Mean Well. Gala includes 1-10V dimming, an IP65 rating and you can choose from four beam angles and two color temperatures. It also features a tempered glass lens.

APPLICATIONS

Industrial, Commercial



DIMENSIONS



MODEL OPTIONS

Manufacturer	Fixture Type	Wattage	Voltage	Name	Driver	Chip	CCT	Beam Angle
BSL BIG SHINE LED	HB High Bay	320W	100-277V G-277-480V Optional	GAA	MW Meanwell	NI Nichia	4000K, 5000K, 5700K	60°, 90°, 120°

* Indicated beam angles available w/aluminum or pc reflective domes

TECHNICAL SPECIFICATIONS

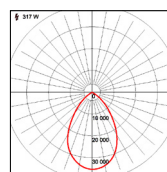
	320W
Lumens	48,000
Efficacy	150
CRI	85 (5000K)
Voltage Input	100-277V
Voltage Output	48V
Amperage	3.5
Hertz	50-60 Hz
THD	8%
Control Options	1-10V Optional (T)
Operating Temp.	-40°~122°F
IP Rating	IP65
IK Level	IK08
Weight	15.70 lb
Driver Life Warranty	50,000 hrs
L70 Results ¹	60,000 hrs

¹ LM80 and TM21 results are available upon request. Specifications are subject to change without notice.

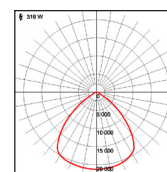
FIELD & BEAM ANGLES

MODEL	Beam	Height vs. Illuminance (ft vs. lx)		
	Angle	9.8 ft	19.7 ft	29.5 ft
BSL-HB320-GAA-MWNI-5000K-60	60	3,917.7	979.4	435.3
BSL-HB320-GAA-MWNI-5000K-90	90	2,354.3	588.6	261.6
BSL-HB320-GAA-MWNI-5000K-120	120	1,886.5	471.6	209.6

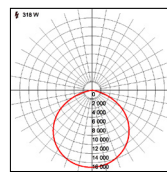
PHOTOMETRICS



320W-5000K-60°



320W-5000K-90°



320W-5000K-120°

MOUNTING OPTIONS

Eye Bolt

STANDARD COLOR OPTIONS



Black

*Customized colors available upon RAL request. MOQ applies.

